



Hunter Fan Company

Wall Control for Ceiling Fan & Light

Wall Control Models: 24797, 94139

Ratings: 240 VAC, 1A Max

Wall Control Models: 94322, 94323

Ratings: 120 VAC, 1A Max

Max 300 Watts Incandescent Lighting

Read and Save these Instructions

⚠ WARNING! Risk of Electrical Shock

• To avoid possible electrical shock, before wiring fan, disconnect power by turning off the power mains both to the outlet box and to its associated wall switch location.

Compliance

• This equipment has been tested and complies with: IEC 60669-1-1999 and EN 60669-1.

• All wiring must be in accordance with national and local electrical codes. If you are unfamiliar with wiring, you should use a qualified electrician.

• To avoid over heating and possible damage to other equipment, do not install to control a receptacle, fluorescent light fixture, motor operated appliance, or transformer-supplied appliance.

Use only to control one paddle-blade ceiling fan and incandescent light fixture.

For use only with electrically reversible ceiling fans rated at 1.0 A or less, and fan incandescent light kits rated at 300 W or less.

Not for use with shaded-pole or nonreversible motors. Not recommended for use with the Hunter Original®.

Faceplate Selection

Two styles of wall faceplates are provided. To remove the faceplate, hold the faceplate assembly by the edges in both hands and press firmly with your thumbs on opposite sides of the inner switch assembly until it snaps out of the faceplate. See figure 1.

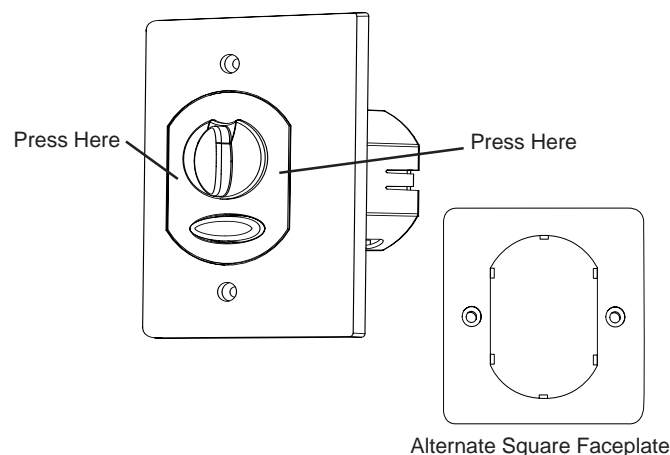


Figure 1 - Removing Switch Assembly from Faceplate.

To insert the switch assembly, center it in the opening of the alternate style faceplate and press it into the faceplate until all six retaining tabs have snapped into place, and the switch assembly is flush with the faceplate. See Figure 2.

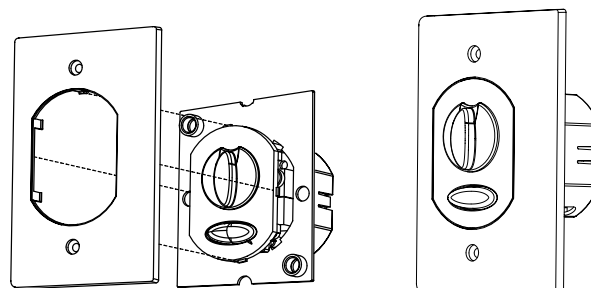



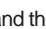

Figure 2 - Switch Assembly insertion in Faceplate

Wiring

Disconnect the power to the ceiling fan and light kit at the main electric panel. Remove fuse or move circuit breaker to the OFF position. Turn off wall switch.

The ends of the wire leads should be straight and have no more than 13 mm of insulation removed. Before inserting wires into terminals, loosen the terminal setscrews on each terminal enough to allow the easy insertion of the wire lead, without removing the setscrew completely. See figures 3 and 4.

Connect the power wire to the terminal marked with the VAC  icon and tighten the setscrew firmly.

Connect the Fan wire to the terminal with the Fan  icon and the Light wire to the terminal marked with the Light  icon, tightening the terminal setscrews firmly. See Figures 3 and 4 for reference.

Be sure no bare wire is exposed at the connection points. Push the wires into the electrical box and mount the wall control assembly to the wall electrical box using the two screws provided.

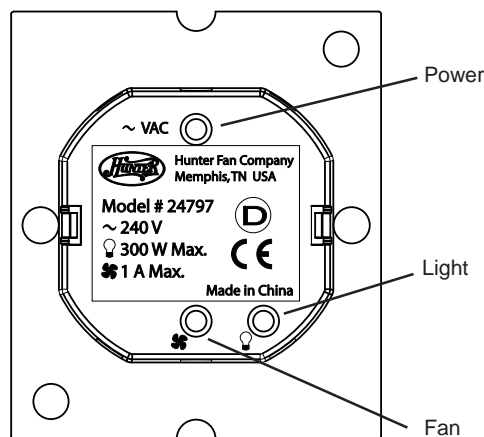


Figure 3 - Terminal Locations

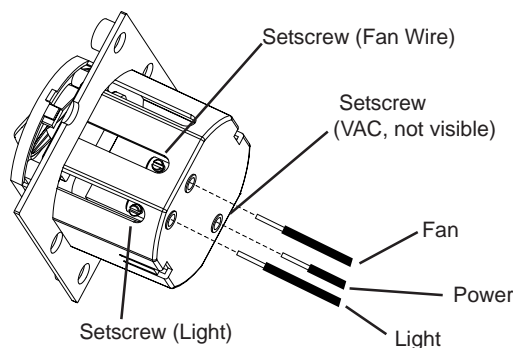


Figure 4 - Terminal Setscrews, view from bottom

Fan Control

Fan Speed Control

To control the fan, set the fan speed control dial to the desired position as shown in Figure 5. Positions are Off, High, Medium and Low from left to right. The speed control pull chain on the fan itself must be set to High for the wall control to function properly.

Optional Light Switch

If your wall control features an optional light switch, you can control the light on the fan with the wall switch as shown in figure 6. The light switch pull chain on the fan must be in the "ON" position for the wall control light switch to function.

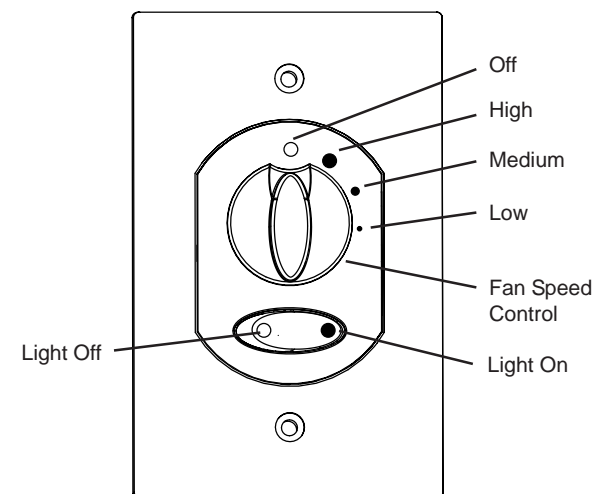


Figure 5 - Speed Control and Light Switch

Troubleshooting

Symptom	Possible Causes	Solution
No functions operate.	Main Power not restored.	Replace fuse. Turn ON power mains. Turn ON wall switch.
	Fan pull chain not set to HIGH.	Turn OFF power at wall switch or power mains. Set fan to HIGH speed.
	Light pull chain not set to ON.	Set light switch to ON.
	Control wiring incorrect.	Verify wiring connections.



Hunter Fan Company
2500 Frisco Avenue
Memphis TN 38114 USA