

Legend Series

 International 

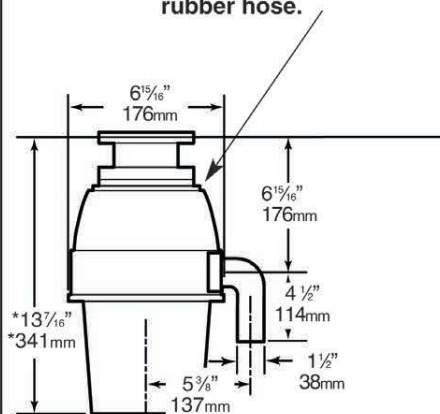
WKI-2600 1/2 H.P. SUBMITTAL SHEET

- Space saving compact design!
- High-speed 2600 r.p.m. permanent magnet motor produces more power per pound.
- Corrosion resistant grinding components.
- Fast and easy mount system provides a no hassle installation.
- Removable splash guard is included.
- Safe for properly sized septic tanks.



DIMENSIONS

Knock-out for dishwasher drain connector sized for 7/8" I.D. / 22mm I.D. rubber hose.



Measurements are in inches / mm
*Add 5/8" / 16mm for RFI Filter

SPECIFICATIONS

Motor Horsepower	1/2 H.P.
Motor Speed R.P.M.	2600
Voltage	100, 110-130, 220-240, 220-240 CE, 220-240 BEAB
Hz	50/60
Amps - Watts	520W (100), 4.5 (110-130), 2.25 (220-240), 475W (220-240 BEAB)
Motor Type	Permanent Magnet
Sink Flange	Stainless Steel & Celcon
Stopper	Positive Seal
Splash Guard	Removable
Waste Elbow	ABS
Feed	Continuous
Grind Ring	Stainless Steel
Swivel Impellers	Stainless Steel
Turntable	Stainless Steel
Hopper	Glass Filled Nylon
Grinding Chamber	Corrosion Proof Glass Filled Polyester
Bearings	Permanently Lubricated; Sleeve Type
Overload Protector	Manual Reset Type
Sound Shell	Yes-Full
Shipping Weight (lbs.)	9.5
Pallet Quantity	100

Due to continued product improvement, system configurations and specifications may change without notice.

Legend Series
 International 

The Hunter Fan Company Ltd
Unit 1, 22 Harrison Close
Twyford, England, RG10 0LL