

## TROUBLESHOOTING

If the switch doesn't work :

1. Check that you have power at the mains wall socket by plugging in another device to the wall. If that is not working then check the fuse at the wall and replace if faulty.
2. Check whether the airswitch works by plugging in another device to the airswitch. If that works then it is your disposal unit that is faulty. Check the fuse in the plug and if that doesn't work then get your unit repaired.
3. If the device doesn't work then the problem is with the airswitch. Check the fuse and replace in the plug if it is not working. Un connect the air tube and check for obstruction by blowing down it. Check that the button is working smoothly. Reconnect and retry.
4. If all these checks do not rectify the problem then contact us for a replacement if it is within the 5 year warranty period. Please have your receipt no available.

## Limited Warranty

The airswitches are warranted for a period of 5 years from the date of purchase. It is a Return to Base warranty which means that you need to contact us for an RMA number and return address. Send it registered or recorded post since if it gets lost that is your responsibility. We will test it and provided there is no evidence of misuse or damage from the items mentioned below we will send you a new one.

The warranty is a limited product warranty that only covers defects in manufacturing and/or materials. It specifically excludes damage or malfunction through abuse, misuse, water ,flooding, fire, Acts of God, electrical power surges, faulty wiring to the unit or incorrect installation or other similar reason.



The Henley Fan Company Ltd  
Unit 1, 22 Harrison Close  
Twyford, Berkshire, RG10 0LL, England

For technical support contact:  
+44 (0) 1256 636 509  
Sales@henleyfan.com  
www.henleyfan.com



## Airswitch Installation Instructions

Model : AirSink  
AS1000 Series



www.henleyfan.com

**READ THIS INSTRUCTION MANUAL CAREFULLY BEFORE INSTALLING AND USING THIS PRODUCT.**

**PLEASE KEEP THESE INSTRUCTIONS HANDY FOR FUTURE REFERENCE**

### **IMPORTANT**

Always operate the product from a power source of the same voltage, frequency and rating .

Do NOT operate this product if the power cord is damaged, or the product appears damaged in any manner.

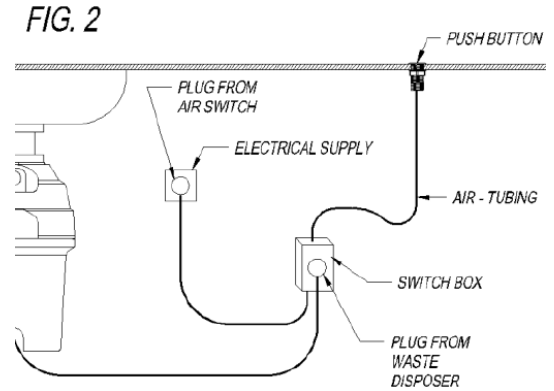
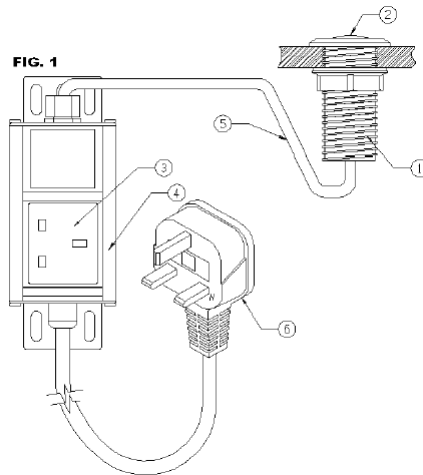
Do NOT immerse or expose any part of this product in any liquid, or expose the electrical part to any moisture, or located the electrical part near basins or other vessels containing water or other liquid. The plug is fused.

This unit is for 220-240v 50 Hz power supply only. Do not connect to any other power supply.

### **INSTALLATION AND USAGE**

This product contains components, including (UK version showing):

- 1.Button Body
- 2.Push Button
- 3.Disposer Socket
- 4.Switch Box
- 5.Air Tubing
- 6.Line Cord



To change the colour of the button and surround, grasp the body of the bellows and pull the surround (outer ring) from the bellows body if you also purchase changeable button.

The button assembly can then be removed from the bellows body, remove and replace with the preferred colour and reassemble into the bellows body.

To install the button, drill a 33mm hole into the work surface or sink, at the preferred position of the working bench. Remove the back nut and the washer first, then fit the button through the hole. Fits the large washer back on, then the back nut, hand tighten only.

Mount the airswitch adjacent to the product to be controlled in a dry location vertically. Then connect the airswitch and the button with the air tube provided.

Plug the airswitch into a switched and fused AC power point (ensuring the power point is grounded properly). This power point should be 220-240v, 50 Hz and correct power rating. The plug and socket must match the socket and plug that you are installing it on ie UK to UK or EC to EC.

**Make sure the AC power point is switched off.**

Plug the product to be controlled into the airswitch 3-pin socket. Turn on the AC power point. Test that the button to control (turn on / off) the product works correctly.